



THE HIGH PERFORMING CAR-SPECIALIST



Ansems CAR TRANSPORTERS **AMT/AMT-ECO**

LOW LOADER TRAILERS



FLATBED TRAILERS



MULTIPURPOSE TRAILERS



CAR TRANSPORTERS



TIPPING TRAILERS



HARD TOP COVER TRAILERS



BOX VAN TRAILERS



HORSE TRAILERS



WELFARE TRAILERS





**“MY COMPANY
CAN'T DO WITHOUT
THE ANSSEMS AMT”**

AMT - Performs again and again

A very versatile, practical, and multipurpose trailer was at the heart of our development process for the AMT car transport range. Maximum load capacity has been achieved through a clever construction process, using only lightweight aluminium and steel components. A 100% wood-free construction helps to achieve incredible weight savings throughout the AMT family. With the use of a full-width aluminium floor, you can use the AMT for many different applications, not just car transport; it is also suitable for quad bikes, garden machinery, small tractors, and diggers.



AMT single-axle braked
(closed floor)

AMT tandem braked
(closed floor)

It's fully equipped

The Anssems AMT is fully equipped with a winch, lightweight aluminium ramps, and easy-to-use propstands. The low floor height makes loading and unloading simple. The side panels are just 18 cm high, making accessing the vehicle that's being transported easy. As with all Anssems Trailers, the AMT's lighting, axles, coupling and braking system are of Premium quality, so you can enjoy the ATM car transporter for many trouble-free years!



Most chosen accessories: wheelstops and weldmesh extensions.



Reliable and clear lightning units



Marker lights at the front and sides



Aluminium ramps in integrated ramp holders



An adjustable winch support for left- and righthand use



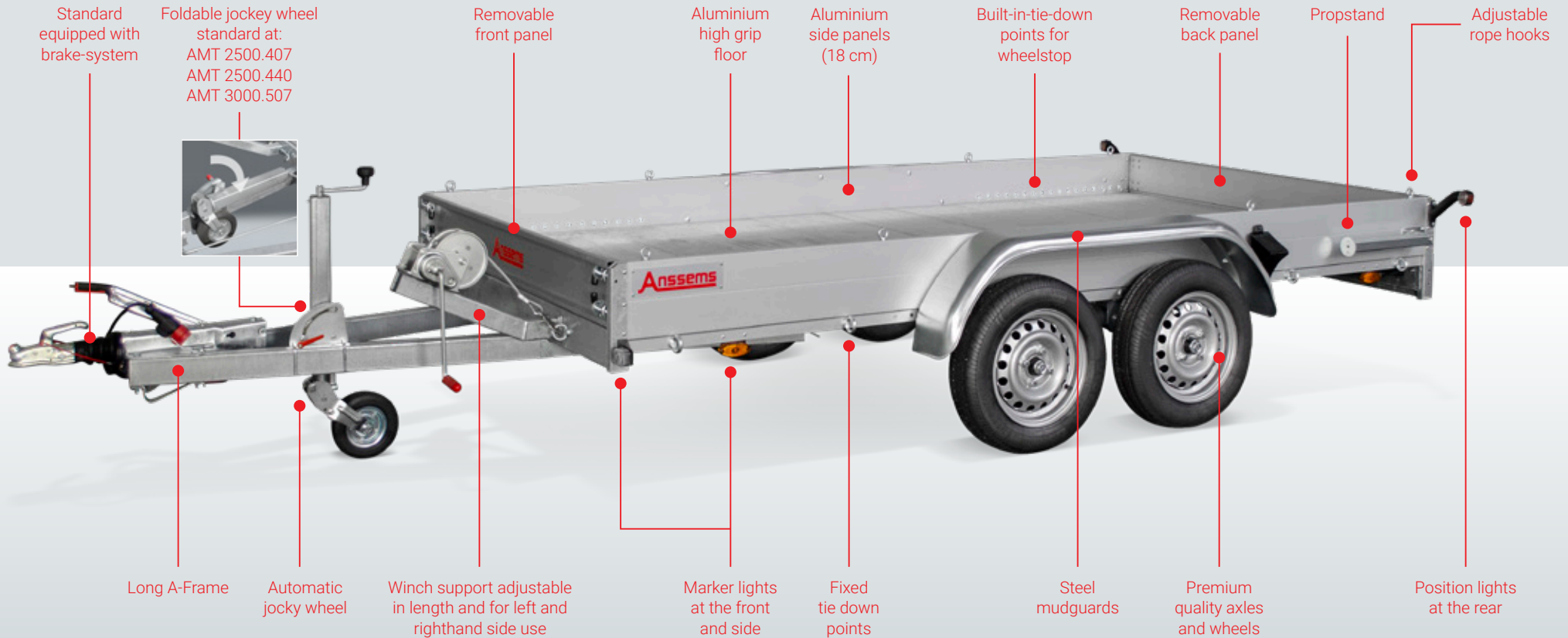
One-hand use propstands



Accessory; spare wheel with support



Accessory; Full width wheelstop with tying up options





“YOUR CAR IS ON THE AMT-ECO BEHIND THE CAMPER”

AMT-ECO

The AMT-ECO is constructed using the same high standards as the rest of the AMT range, and is specifically designed to reduce weight and cost. Its maximum load capacity is achieved through clever construction and an open floor system. The AMT-ECO is equipped with aluminium ramps and easy-to-use propstands. It is very popular amongst motorhome owners for transporting a second car, classic car enthusiasts, as well as race car owners.



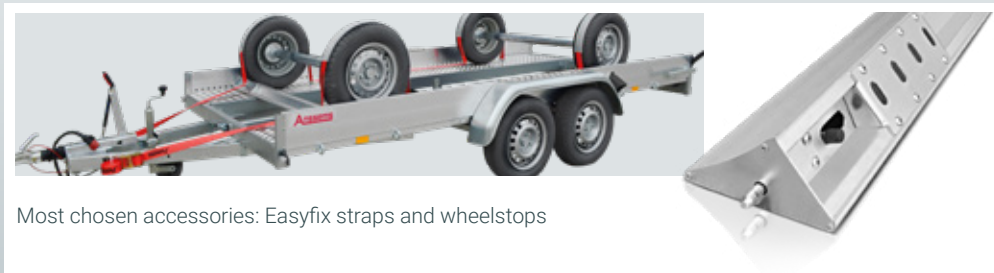
AMT-ECO single-axle braked
(2 floor parts)



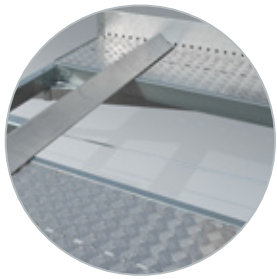
AMT-ECO tandem braked
(2 floor parts)

Safe Transport

As a trailer manufacturer, we take the safety of our customers and all road users very seriously. That is why we developed the Anssems Over Wheel Strapping System, which uses our Easyfix Straps. Together with a full-width wheel stop and built-in tie-down points, you can securely secure your vehicle in a matter of minutes.



Most chosen accessories: Easyfix straps and wheelstops



Aluminium high grip floor parts



Reliable and clear lightning units



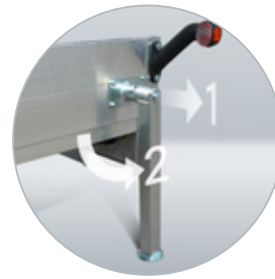
Aluminium ramps in integrated ramp holders



Long Tube A-Frame



Reinforced steel mudguards



One-hand use propstands



Winch with winch support is an option

Premium brake-system

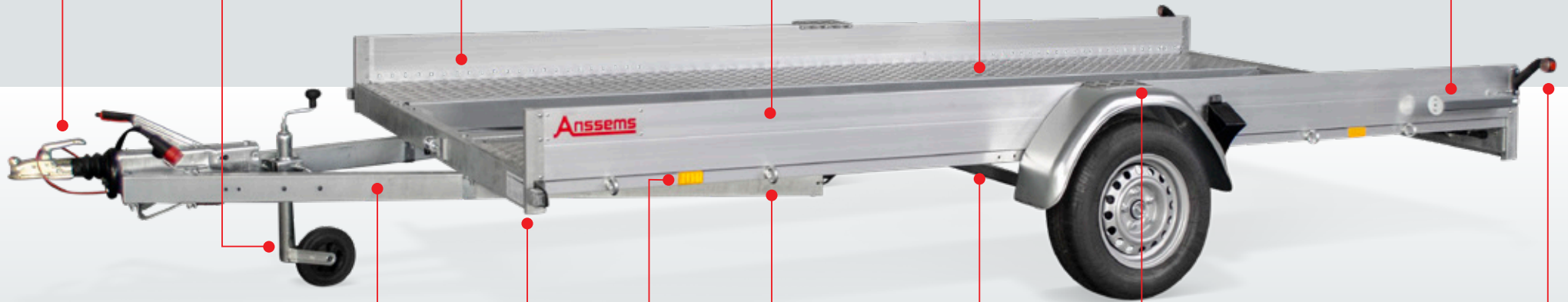
Standard equipped with jockey wheel

Built-in-tie-down points for wheelstop

Maintenance friendly construction

Aluminium floor parts

Propstands



Long Tube A-Frame

Marker lights at the front

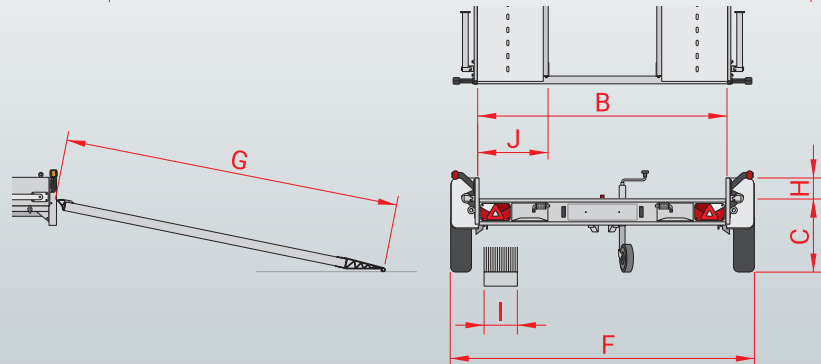
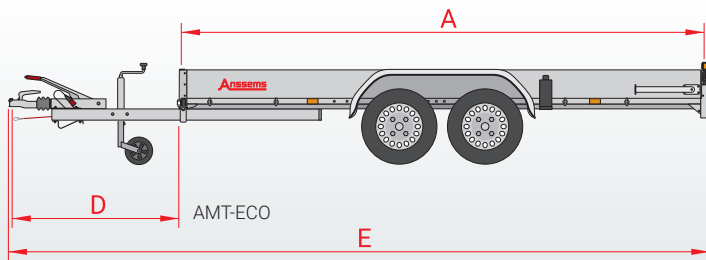
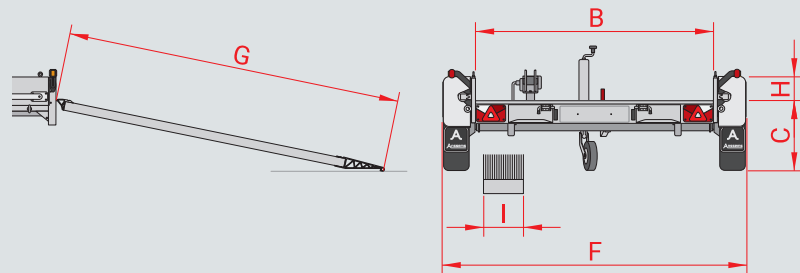
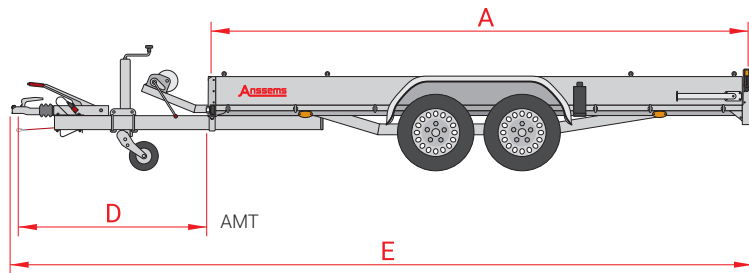
Reflectors on the sides

Fixed tie down points

Premium quality axles and wheels

Reinforced steel mudguards

Position lights at the rear



Type	AMT 1200 340x170	AMT 1500 340x170	AMT 2500 340x180	AMT 2500 407x180	AMT 2500 440x190	AMT 3000 507x200
Gross capacity	1200 kg	1500 kg	2500 kg	2500 kg	2500 kg	3000 kg
Unladen weight (ULW)	350 kg	375 kg	400 kg	450 kg	500 kg	550 kg
Load capacity	850 kg	1125 kg	2100 kg	2050 kg	2000 kg	2450 kg
Axles pcs	1	2	2	2	2	2
Braked version	✓	✓	✓	✓	✓	✓
Foldable jockey wheel	✗	✗	✗	✓	✓	✓
Wheel / tyresize	185/70R13	145/80R13	185/70R13	185/70R13	185/70R13	185/60R12
Rims	steel	steel	steel	steel	steel	steel
Floor design	closed	closed	closed	closed	closed	closed
Floor type	aluminium	aluminium	aluminium	aluminium	aluminium	aluminium
Internal length (A)	340 cm	340 cm	340 cm	407 cm	440 cm	507 cm
Internal width (B)	170 cm	170 cm	180 cm	180 cm	190 cm	200 cm
Floor height (C)	51 cm	49 cm	51 cm	51 cm	51 cm	48 cm
A-Frame length (D)	145 cm	145 cm	145 cm	145 cm	145 cm	145 cm
Total length (E)	488 cm	488 cm	488 cm	555 cm	588 cm	655 cm
Total width (F)	216 cm	212 cm	230 cm	230 cm	240 cm	250 cm
Ramp length (G)	240 cm	240 cm	250 cm	250 cm	250 cm	250 cm
Side-panel height (H)	18 cm	18 cm	18 cm	18 cm	18 cm	18 cm
Ramp width (I)	25 cm	25 cm	30 cm	30 cm	30 cm	30 cm
Floor parts width (J)	-	-	-	-	-	-

Accessoires	AMT 1200 340x170	AMT 1500 340x170	AMT 2500 340x180	AMT 2500 407x180	AMT 2500 440x190	AMT 3000 507x200
Wheelstop with tying up options	✓	✓	✓	✓	✓	✓
Mesh sides (height 70 cm)	✓	✓	✓	✓	✗	✗
Winch with winch holder	s	s	s	s	s	s
Strap set / Tie down wheel straps	✓	✓	✓	✓	✓	✓
Tie eye M8	✓	✓	✓	✓	✓	✓
Spare wheel with support	✓	✓	✓	✓	✓	✓
Axle shock absorber	✓	✓	✓	✓	✓	✓

s standard equipment

✓ available as an accessory

✗ no accessory

Type	AMT 1300 ECO 340x180	AMT 1300 ECO 400x188	AMT 1500 ECO 400x188	AMT 2000 ECO 400x188
Gross capacity	1300 kg	1300 kg	1500 kg	2000 kg
Unladen weight (ULW)	255 kg	270 kg	310 kg	335 kg
Load capacity	1045 kg	1030 kg	1190 kg	1665 kg
Axles pcs	1	1	2	2
Braked version	✓	✓	✓	✓
Foldable jockey wheel	✗	✗	✗	✗
Wheel / tyresize	185/70R13	185/70R13	145/80R13	155/80R13
Rims	steel	steel	steel	steel
Floor design	2 parts	2 parts	2 parts	2 parts
Floor type	aluminium	aluminium	aluminium	aluminium
Internal length (A)	340 cm	400 cm	400 cm	400 cm
Internal width (B)	180 cm	188 cm	188 cm	188 cm
Floor height (C)	49 cm	49 cm	48 cm	48 cm
A-Frame length (D)	123 cm	123 cm	123 cm	123 cm
Total length (E)	466 cm	526 cm	526 cm	526 cm
Total width (F)	227 cm	235 cm	229 cm	229 cm
Ramp length (G)	240 cm	240 cm	240 cm	240 cm
Side-panel height (H)	18 cm	18 cm	18 cm	18 cm
Ramp width (I)	25 cm	25 cm	25 cm	25 cm
Floor parts width (J)	53 cm	53 cm	53 cm	53 cm

Accessoires	AMT 1300 ECO 340x180	AMT 1300 ECO 400x188	AMT 1500 ECO 400x188	AMT 3000 ECO 400x188
Wheelstop with tying up options	✓	✓	✓	✓
Mesh sides (height 70 cm)	✗	✗	✗	✗
Winch with winch holder	✓	✓	✓	✓
Strap set / Tie down wheel straps	✓	✓	✓	✓
Tie eye M8	✗	✗	✗	✗
Spare wheel with support	✓	✓	✓	✓
Axle shock absorber	✓	✓	✓	✓

"I MEET A LOT OF CAR ENTHUSIASTS THANKS TO MY ANSSEMS AMT"

Anssems

Anssems

Always behind you.

Anssems offers a complete range of transport solutions of flawless quality, and has been doing so since 1977. Our standard, richly equipped trailers are perfect for professional and private users. Our modern machinery is extremely accurate and ensures a consistent high-quality output. Our team checks the result to guarantee a perfect finish. We produce to the highest standards, with user comfort and safety being our top priority. Anssems, when things gets tough, we're right behind you.

Visit: www.anssems.eu



Your Anssems dealer

AB2302EN-AMT



A Low loader trailers **BSX**



A Low loader trailers **GT-O**



A Low loader trailers **GT-R**



A Flatbed trailers **ASX**
(Incl. ramps)



A Flatbed trailers **PSX**



H Flatbed trailers **MEDAX**



A Flatbed trailers **PLT**



H Multipurpose trailers
CARAX



A Multipurpose trailers
MSX-Basic / MSX



A Car transporters
AMT



A Car transporters
AMT-ECO



A 3-way tipping trailers
KSX



A Backwards tipping trailers
KLT



A Hard top cover trailers
GT-HT / GT-VT1



A Box van trailers
GT-VT2 / GT-VT3 / GT-VT4



H Plant trailers
TERRAX



H Plant trailers
TERRAX-Basic



A Horse trailers **PTH**



A Welfare trailers **PTS**



Anssems Go-Getter



The Anssems group

Anssems Aanhangwagens B.V.
Ericssonstraat 50
NL-5121 ML Rijen

Anssems Anhänger GmbH
Londoner Straße 15
D-48455 Bad Bentheim-Gildehaus

Anssems Remorques Sarl
Rue Pierre Brosolette
FR-58600 Garchizy

Hulco Trailers GmbH
Wiener Straße 34
D-48455 Bad Bentheim-Gildehaus