



PTH

# COMFORTABLE AND SAFE FOR HORSE AND RIDER



**Anssems** HORSE TRAILERS PTH

LOW LOADER TRAILERS



FLATBED TRAILERS



MULTIPURPOSE TRAILERS



CAR TRANSPORTERS



TIPPING TRAILERS



HARD TOP COVER TRAILERS



BOX VAN TRAILERS



**HORSE TRAILERS**



WELFARE TRAILERS



## Unique full polyester quality, 100% woodfree!

Anssems produces its own high-quality polyester with a smooth surface and a gloss level of almost 98% in its factory. Our horse trailers are coated with a special gelcoat which ensures an extremely high UV resistance. This has the advantage of preventing the colour from fading and the trailer from heating up too quickly in the sun. Additionally, the trailer is very easy to clean.

**“THE ANSSEMS PTH  
IS SUSTAINABLE AND  
100% WOOD-FREE”**



PTH Privaro  
tandem black



PTH Excelente  
tandem white or black  
(with tack room)



PTH Ganador  
tandem black  
(with tack room)

## Unique materials

Materials used for Anssems horse trailers are those also used in the aircraft industry and in the construction of windmills. These materials have a low net weight, are incredibly strong and are specially designed for long-term pressure loading. The whole trailer is 100% wood-free, preventing it from rotting, and thus guaranteeing a long life.



Robust outside railing



Reliable and highly visible lighting



Large tack room, also for western saddles



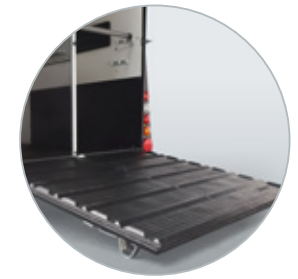
Special breast bar release system



Top hung windows on both sides



Self-rollable ventilated windstop



Very low entrance



Low noise top hung windows both sides

Fuel saving design

XL manoeuvring handles



Large tack room (saddle holder can be folded out)

Overrun brake

Automatic jockey wheel

Galvanized steel chassis and 100% wood-free floor

Reliable and highly visible lighting

Premium quality axles and wheels



Also available with alloy wheels

**Anssems**



**“THE ANSSEMS PTH HAS AN EXTREMELY LOW ENTRY”**

## Aerodynamic design

The revolutionary aerodynamic design minimises wind and driving noise. Combined with optimal roadholding, it guarantees a stress-free and comfortable transport for your horses. Another important aspect is the significant reduction in fuel consumption, thanks to the unique design.



### Privaro

2-Horse trailer equipped with:

- Unique full-polyester quality
- Extremely low entry
- Robust robot welded and hot dip galvanised chassis
- Robust rods on the outside
- Breast bar release system and maneuverhandle
- Side kick protection and large wall cushions
- Total weight: 2000 kg
- Unloaden trailer weight: 750 kg

- Colour:

### Excelente

Equipped as the Privaro with the extras below:

- Spacious tack locker / spacious saddle
- Locker interior lighting
- Halter holders and saddle carriers
- Total weight: 2000 kg
- Unloaden trailer weight: 775 kg

- Colour:



Breast bar release system



Non-blinding interior lighting



Large side pads (premium quality)



Non-slip step



Head grid (option)



Foal grid (option)



Spare wheel (option)

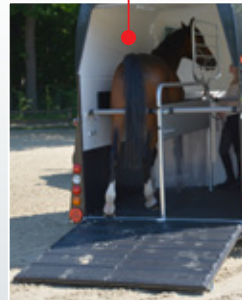


## Ganador

Equipped as the Excelente plus :

- Extra security through contour lighting (LED), 3rd brake light (LED)
- Sparewheel with support
- Axle shock absorbers for extra driving comfort
- Total weight: 2300 kg
- Unloaden trailer weight: 850 kg

- Colour:



Large side pads

Kick protection of high impact resistant material

Extremely low entrance

Aerodynamic design

Top hung window with bars

Revolving partition with adjustable breast and rear barsvensters

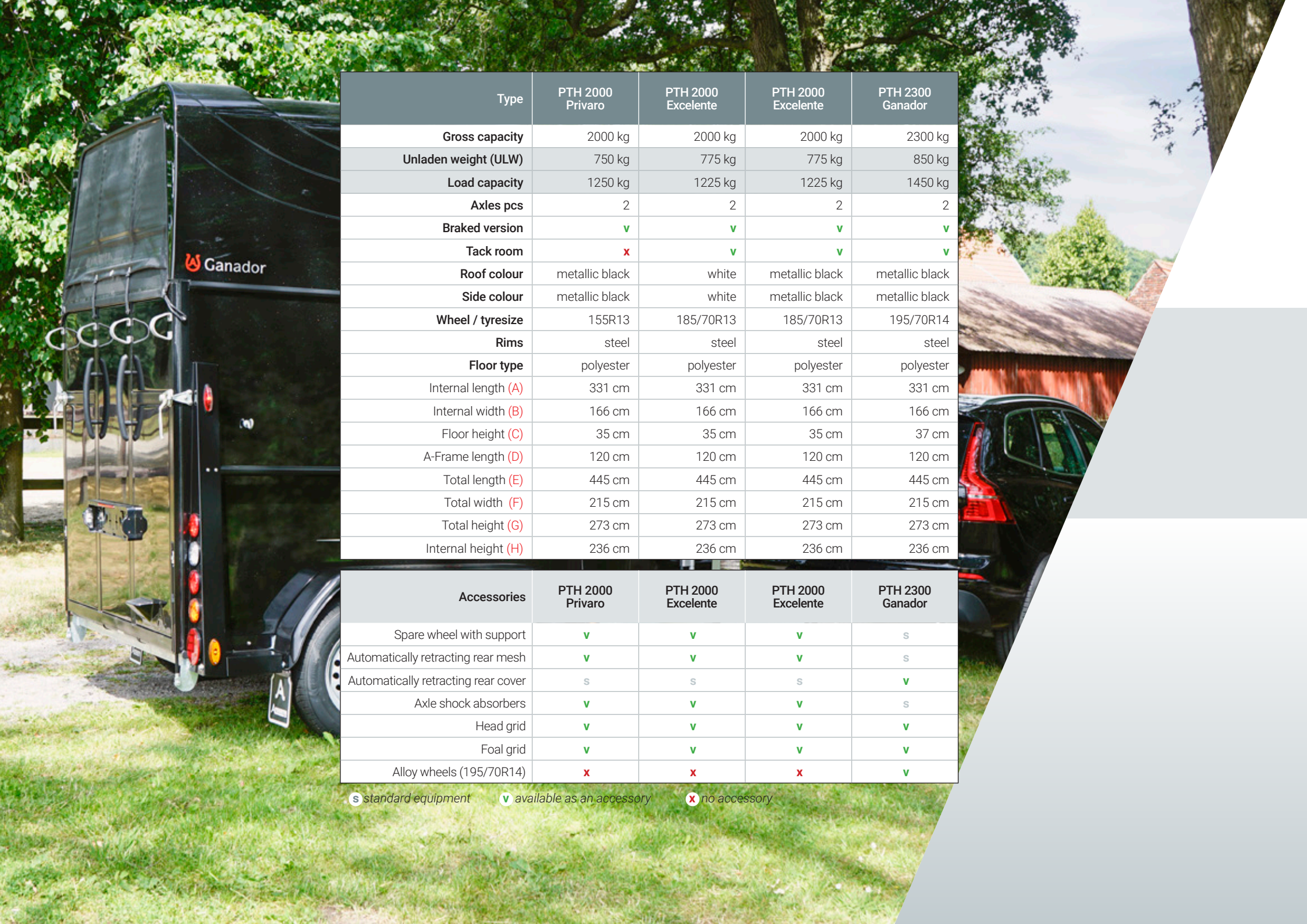
Locked tack room

PVC partition

Hygienic floor made of polyester with anti-slip rubber

Strong ramp with anti-slip rubber and cross step bars and side stops

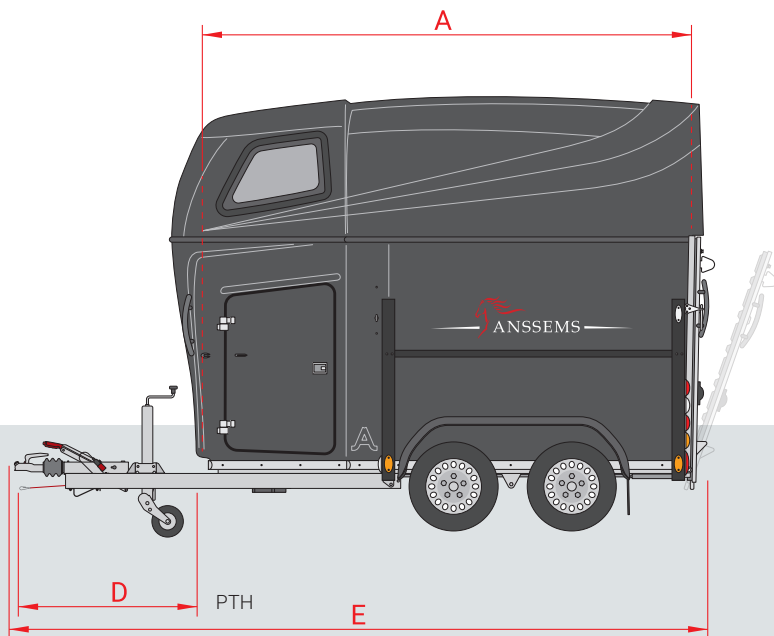
# Anssems



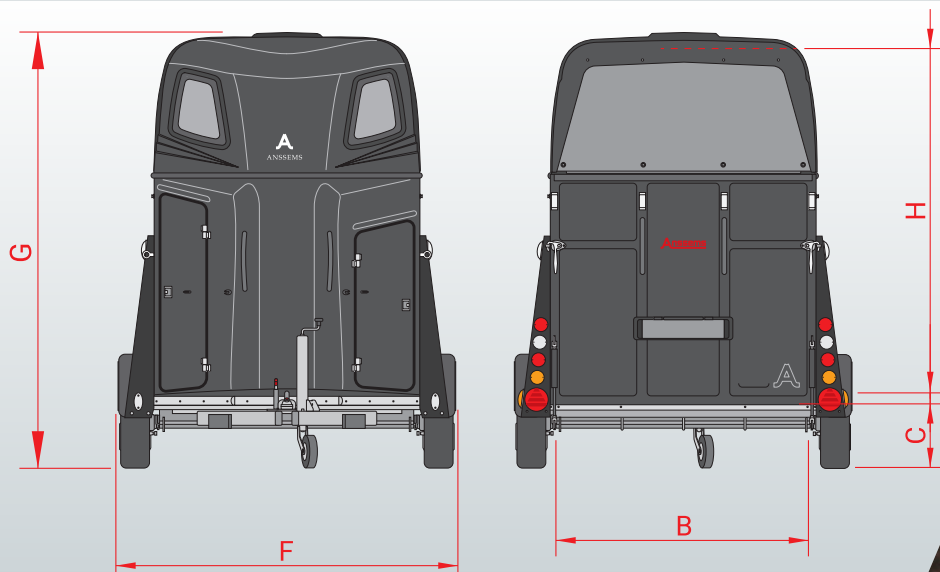
Type	PTH 2000 Privaro	PTH 2000 Excelente	PTH 2000 Excelente	PTH 2300 Ganador
<b>Gross capacity</b>	2000 kg	2000 kg	2000 kg	2300 kg
<b>Unladen weight (ULW)</b>	750 kg	775 kg	775 kg	850 kg
<b>Load capacity</b>	1250 kg	1225 kg	1225 kg	1450 kg
<b>Axles pcs</b>	2	2	2	2
<b>Braked version</b>	✓	✓	✓	✓
<b>Tack room</b>	✗	✓	✓	✓
<b>Roof colour</b>	metallic black	white	metallic black	metallic black
<b>Side colour</b>	metallic black	white	metallic black	metallic black
<b>Wheel / tyresize</b>	155R13	185/70R13	185/70R13	195/70R14
<b>Rims</b>	steel	steel	steel	steel
<b>Floor type</b>	polyester	polyester	polyester	polyester
Internal length (A)	331 cm	331 cm	331 cm	331 cm
Internal width (B)	166 cm	166 cm	166 cm	166 cm
Floor height (C)	35 cm	35 cm	35 cm	37 cm
A-Frame length (D)	120 cm	120 cm	120 cm	120 cm
Total length (E)	445 cm	445 cm	445 cm	445 cm
Total width (F)	215 cm	215 cm	215 cm	215 cm
Total height (G)	273 cm	273 cm	273 cm	273 cm
Internal height (H)	236 cm	236 cm	236 cm	236 cm

Accessories	PTH 2000 Privaro	PTH 2000 Excelente	PTH 2000 Excelente	PTH 2300 Ganador
Spare wheel with support	✓	✓	✓	s
Automatically retracting rear mesh	✓	✓	✓	s
Automatically retracting rear cover	s	s	s	✓
Axle shock absorbers	✓	✓	✓	s
Head grid	✓	✓	✓	✓
Foal grid	✓	✓	✓	✓
Alloy wheels (195/70R14)	✗	✗	✗	✓

s standard equipment    
 ✓ available as an accessory    
 ✗ no accessory



**“WE BOTH ARRIVE  
STRESS-FREE ON OUR  
DESTINATION”**



# Anssems

## Always behind you.

Anssems offers a complete range of transport solutions of flawless quality, and has been doing so since 1977. Our standard, richly equipped trailers are perfect for professional and private users. Our modern machinery is extremely accurate and ensures a consistent high-quality output. Our team checks the result to guarantee a perfect finish. We produce to the highest standards, with user comfort and safety being our top priority. Anssems, when things gets tough, we're right behind you.

Visit: [www.anssems.eu](http://www.anssems.eu)



Your Anssems dealer

AB2302EN-PTH



**A** Low loader trailers **BSX**



**A** Low loader trailers **GT-O**



**A** Low loader trailers **GT-R**



**A** Flatbed trailers **ASX**  
(Incl. ramps)



**A** Flatbed trailers **PSX**



**H** Flatbed trailers **MEDAX**



**A** Flatbed trailers **PLT**



**H** Multipurpose trailers  
**CARAX**



**A** Multipurpose trailers  
**MSX-Basic / MSX**



**A** Car transporters  
**AMT**



**A** Car transporters  
**AMT-ECO**



**A** 3-way tipping trailers  
**KSX**



**A** Backwards tipping trailers  
**KLT**



**A** Hard top cover trailers  
**GT-HT / GT-VT1**



**A** Box van trailers  
**GT-VT2 / GT-VT3 / GT-VT4**



**H** Plant trailers  
**TERRAX**



**H** Plant trailers  
**TERRAX-Basic**



**A** Horse trailers **PTH**



**A** Welfare trailers **PTS**



Anssems Go-Getter

### The Anssems group

**Anssems Aanhangwagens B.V.**  
Ericssonstraat 50  
NL-5121 ML Rijen

**Anssems Anhänger GmbH**  
Londoner Straße 15  
D-48455 Bad Bentheim-Gildehaus

**Anssems Remorques Sarl**  
Rue Pierre Brosolette  
FR-58600 Garchizy

**Hulco Trailers GmbH**  
Wiener Straße 34  
D-48455 Bad Bentheim-Gildehaus

