



BSX

THE STRONG IRON HERO



Anssems LOW LOADER TRAILERS **BSX**

LOW LOADER TRAILERS

FLATBED TRAILERS

MULTIPURPOSE TRAILERS

CAR TRANSPORTERS

TIPPING TRAILERS

HARD TOP COVER TRAILERS

BOX VAN TRAILERS

HORSE TRAILERS

WELFARE TRAILERS





**“MY WORKING DAY
STARTS WITH HOOKING
UP THE ANSSEMS BSX”**

BSX - Low-loader for heavy duty practice

The Anssems BSX is an extremely high-quality and durable trailer, suitable for both business and personal use. Its external wheel positioning ensures maximum stability when loading and towing, and the low floor height makes for easy loading and unloading. If your job requires a trailer that can withstand intensive use, then the BSX is the trailer for you.



BSX single-axle
unbraked



BSX single-axle braked



BSX Go-Getter
single-axle braked



BSX tandem
braked

BSX Go-Getter

The BSX Go-Getter is a heavy-duty, low-loader trailer for those who want to stand out and take advantage of the extra features, such as black steel rims, black aluminium panels, a 40L black toolbox on an A-frame, and fully-equipped LED lighting. Go and get your Go-Getter!





Robot-welded chassis with a fixed railing and ladder rack



Reliable and clear lighting



Marker lights at the front and side



Back-panel can rest on pullout beams



Front-panel can rest on the A-frame



Railing for movable net hooks



Integrated railing for free positioning tie-hooks

Deliverable from 1350 kg braked version

Automatic jockey wheel

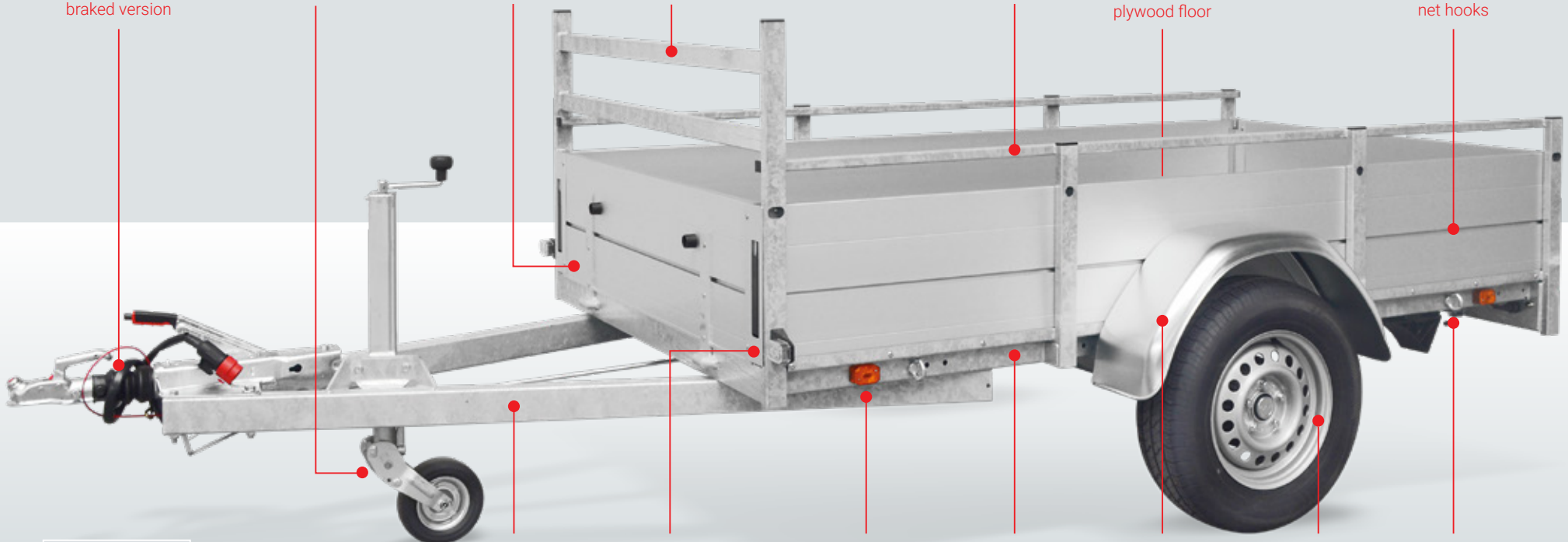
Turnable front-panel

Fixed ladder rack

Fixed railing

Strong high grip waterproof plywood floor

Integrated railing for movable net hooks



Unbraked BSX version: A-frame of U-profile (length 135 cm.)

Straight drawbar out of tube-profile (length 145 cm)

Front lights

Marker lights

Robot-welded chassis

Steel mudguards

Premium quality axles and wheels

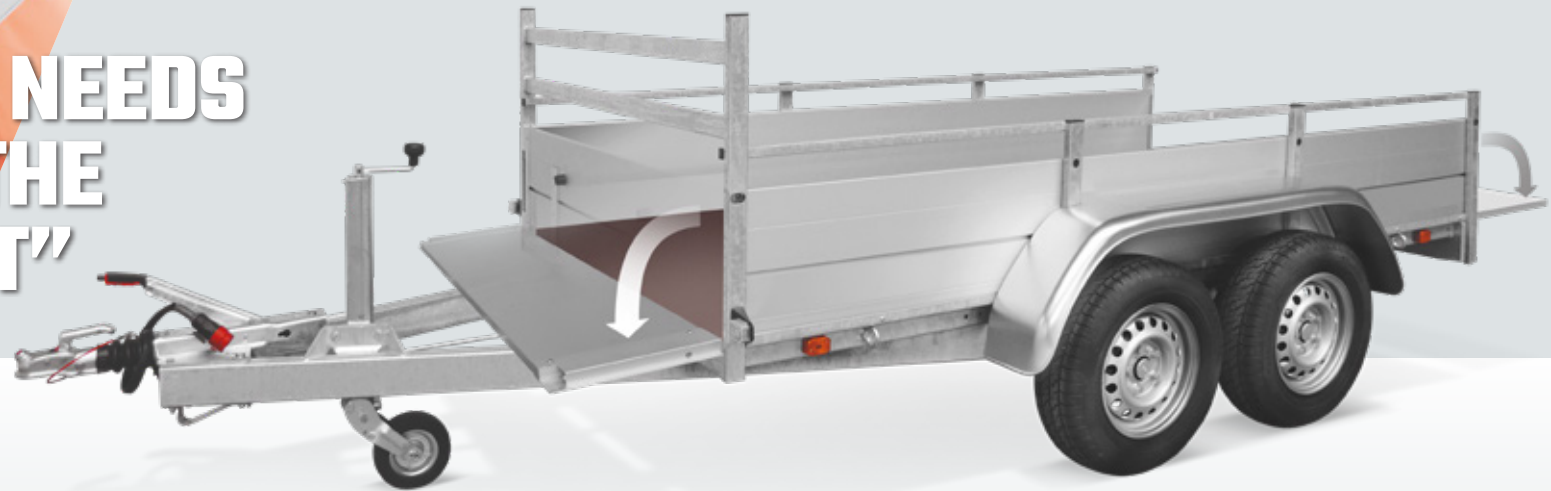
Fixed tie hook



**“MY BSX ONLY NEEDS
ONE RIDE FOR THE
ENTIRE FREIGHT”**

Multi purpose trailer

During the development process of the BSX range, Anssems did everything they could to create the best multipurpose trailer in its class, striving to meet the requirements of both business and private users. The BSX is an attractive trailer, featuring innovations not seen on any other trailer in its class. To find out more, visit your local Anssems dealer and ask about all the possibilities, or visit www.anssems.eu.



Loading comfort

The BSX Trailer is the ideal trailer for transporting all kinds of loads. In the case of long loads, both the front and rear panels can be laid flat, with the front resting on the A-frame and the rear on locking pull-out supports, whilst still leaving the lights visible from the rear. The ladder rack offers more tie-down options and cargo support.



Accessory; propstands for more comfort during loading and unloading



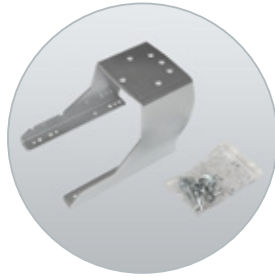
Accessory; axle shock absorbers (Only of braked version)



Accessory; tie eyes M8



Accessory; net hooks



Accessory; spare wheel support



Accessory; spare wheel



Accessory; universal aluminium ramps



Cover your load safely with this flat cover made from sustainable tarpaulin. It is easy to mount using the adjustable net hooks which are included.

Many BSX buyers opt for the Anssems' high cover. This high cover creates more cargo hold volume and extra protection during transport.

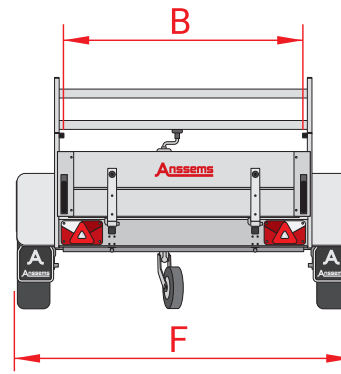
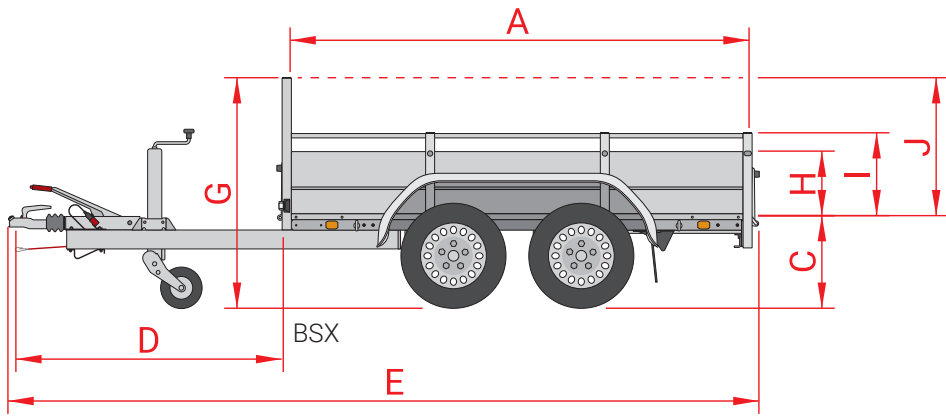
The Original Anssems High Cover has a strong frame construction with aluminium slats.



Type	BSX 750 205x120	BSX 750 251x130	BSX 1350 205x120	BSX 1350 251x130	BSX 1350 251x130 Go-Getter	BSX 1500 301x150	BSX 2500 251x130	BSX 2500 301x150
Gross capacity	750 kg	750 kg	1350 kg	1350 kg	1350 kg	1500 kg	2500 kg	2500 kg
Unladen weight (ULW)	205 kg	230 kg	270 kg	300 kg	300 kg	330 kg	365 kg	405 kg
Load capacity	545 kg	520 kg	1080 kg	1050 kg	1050 kg	1170 kg	2135 kg	2095 kg
Axles pcs	1	1	1	1	1	1	2	2
Braked version	x	x	v	v	v	v	v	v
Wheel / tyresize	155/80R13	155/80R13	195/70R14	195/70R14	195/70R14	195/70R14	185/70R13	185/70R13
Steel rims	silver	silver	silver	silver	black	silver	silver	silver
Anodised aluminium panels	silver	silver	silver	silver	black	silver	silver	silver
Floor type	plywood	plywood	plywood	plywood	plywood	plywood	plywood	plywood
Internal length (A)	205 cm	251 cm	205 cm	251 cm	251 cm	301 cm	251 cm	301 cm
Internal width (B)	120 cm	130 cm	120 cm	130 cm	130 cm	150 cm	130 cm	150 cm
Floor height (C)	52 cm	52 cm	53 cm	53 cm	53 cm	53 cm	50 cm	50 cm
A-Frame length (D)	135 cm	135 cm	145 cm	145 cm	145 cm	145 cm	145 cm	145 cm
Total length (E)	351 cm	397 cm	361 cm	407 cm	407 cm	457 cm	407 cm	457 cm
Total width (F)	166 cm	176 cm	170 cm	180 cm	180 cm	200 cm	182 cm	202 cm
Total height (G)	127 cm	127 cm	128 cm	128 cm	128 cm	128 cm	125 cm	125 cm
Side panel height (H)	35 cm	35 cm	35 cm	35 cm	35 cm	35 cm	35 cm	35 cm
Side rail height (I)	45 cm	45 cm	45 cm	45 cm	45 cm	45 cm	45 cm	45 cm
Front ladder rack height (J)	75 cm	75 cm	75 cm	75 cm	75 cm	75 cm	75 cm	75 cm

Accessories	BSX 750 205x120	BSX 750 251x130	BSX 1350 205x120	BSX 1350 251x130	BSX 1350 251x130 Go-Getter	BSX 1500 301x150	BSX 2500 251x130	BSX 2500 301x150
High cover (internal height 150 cm)	v	v	v	v	v	v	v	v
High cover (internal height 180 cm)	x	v	x	v	v	v	v	v
High cover (internal height 210 cm)	x	x	x	x	x	v	x	v
Flat cover	v	v	v	v	v	v	v	v
Propstands	v	v	v	v	v	v	v	v
Tie hooks	v	v	v	v	v	v	v	v
Tie eyes M8	v	v	v	v	v	v	v	v
Aluminium ramps 150, 200, 250 cm	v	v	v	v	v	v	v	v
Axle shock absorbers	x	x	v	v	v	v	v	v
Spare wheel with support	v	v	v	v	v	v	v	v

v available as an accessor x no accessory



“THE ANSSEMS BSX HAS NO PROBLEM HANDLING LONG TIMBER”



Stand out just a bit more? You will with the BSX 1350.251x130 Go-Getter. Executed in black, with LED lighting and including a black toolbox on A-frame.



Extend the loading floor and rest the back-panel on pullout beams. Consider marking the load.

Anssems

Anssems

Always behind you.

Anssems offers a complete range of transport solutions of flawless quality, and has been doing so since 1977. Our standard, richly equipped trailers are perfect for professional and private users. Our modern machinery is extremely accurate and ensures a consistent high-quality output. Our team checks the result to guarantee a perfect finish. We produce to the highest standards, with user comfort and safety being our top priority. Anssems, when things gets tough, we're right behind you.

Visit: www.anssems.eu



Your Anssems dealer

AB2302EN-BSX



A Low loader trailers **BSX**



A Low loader trailers **GT-O**



A Low loader trailers **GT-R**



A Flatbed trailers **ASX**
(Incl. ramps)



A Flatbed trailers **PSX**



H Flatbed trailers **MEDAX**



A Flatbed trailers **PLT**



H Multipurpose trailers
CARAX



A Multipurpose trailers
MSX-Basic / MSX



A Car transporters
AMT



A Car transporters
AMT-ECO



A 3-way tipping trailers
KSX



A Backwards tipping trailers
KLT



A Hard top cover trailers
GT-HT / GT-VT1



A Box van trailers
GT-VT2 / GT-VT3 / GT-VT4



H Plant trailers
TERRAX



H Plant trailers
TERRAX-Basic



A Horse trailers **PTH**



A Welfare trailers **PTS**



Anssems Go-Getter

The Anssems group

Anssems Aanhangwagens B.V.

Ericssonstraat 50
NL-5121 ML Rijen

Anssems Anhänger GmbH

Londoner Straße 15
D-48455 Bad Bentheim-Gildehaus

Anssems Remorques Sarl

Rue Pierre Brosolette
FR-58600 Garchizy

Hulco Trailers GmbH

Wiener Straße 34
D-48455 Bad Bentheim-Gildehaus

