



KSX

# PREMIUM CLASS FOR ALL YOUR TRANSPORT



**Anssems** TIPPING TRAILERS **KSX**

LOW LOADER TRAILERS



FLATBED TRAILERS



MULTIPURPOSE TRAILERS



CAR TRANSPORTERS



**TIPPING TRAILERS**



HARD TOP COVER TRAILERS



BOX VAN TRAILERS



HORSE TRAILERS



WELFARE TRAILERS



**“THE ANSSEMS KSX  
IS A REAL  
POWERHOUSES”**

## KSX tipping trailers with class

The robust Anssems KSX is a tipping trailer for intensive use, with a backwards or three-way tipping function up to 49°. The KSX has a robot-welded chassis and a V-drawbar with a long free length of 145 cm, which is very stable. The top chassis is equipped with many longitudinal beams, providing excellent support for the steel floor plate.



KSX backwards or 3-way  
tipping trailer  
(Tilt control: manual)



KSX backwards or 3-way  
tipping trailer  
(Tilt control: electric)

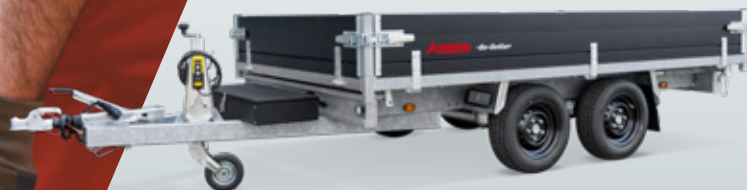


KSX Go-Getter  
3-way tipping trailer  
(Tilt control: electric)

The KSX-E models have an electric tipping function with remote control, built-in battery and a supplied battery charger. With the remote control, you have a good overview when unloading. The KSX-H models are equipped with a hydraulic hand pump, which is a good choice if you don't use the tipping function regularly.

## The KSX Go-Getter stands out

The Go-Getter stands for reliability and professionalism, making you stand out from the crowd. The KSX-Go-Getter is a tipping trailer with a range of additional features, including black aluminium panels, a 40-litre black toolbox, and black steel rims, all of which come with LED lighting. Get your Go-Getter now!





Robust floor support



8 fixed tie hooks on the steel floor



Standard equipped with integrated ramp holders



Equipped with span lockers



Remote control



Tie rail for removable net hooks



Foldable side panels rotate under the loading floor (loading / unloading without damage)

Premium quality brake system

Remote control

Manual operation on KSX 2500 H

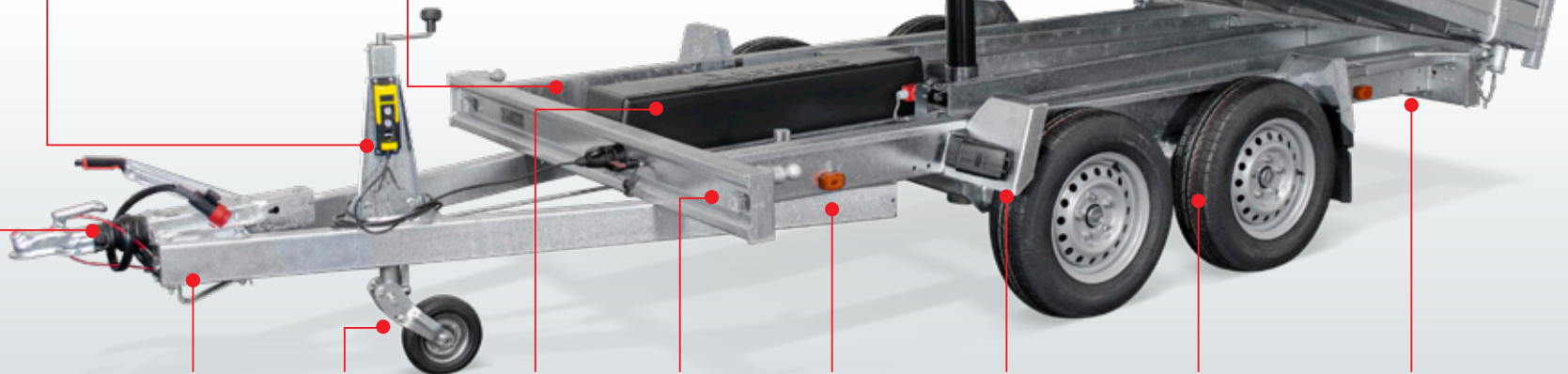
Robust robot welded chassis

Equipped with spanlockers

Integrated tie rail

Steel floor with maximum support

Fully foldable sides



Long A-frame made out of tubular steel profiles

Automatic jockey wheel

Protective battery cover

Marker light

Side marker light

Steel mudguards

Premium quality axles and wheels

Fixing holes for propstand



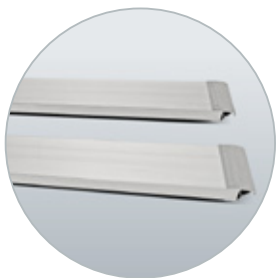
**“MY ANSSEMS  
KSX GETS THE  
JOB DONE”**

## KSX, multifunctional and sustainable

During the development phase of the KSX trailers, the key word was multifunctionality. Depending on what you want to transport, the different KSX models and the many accessories can be adjusted to your individual requirements. Heavy loads such as sand, rubble, firewood, or garden waste? It's a piece of cake for the Anssems KSX!



More transport volume is created thanks to the extension sides, an often used accessory, with an internal loading height of 65 cm.



Accessorie: steel or aluminium ramps



Accessorie: easy to use propstands



Accessorie: high cover deliverable in 150 and 180 cm high



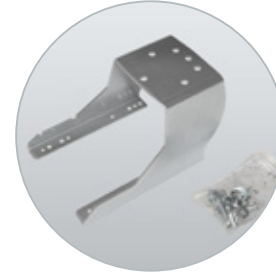
Accessorie: net hooks (for tie-rail)



Accessorie: spare wheel



Accessorie: axle shock absorbers for extra comfort



Accessorie: spare wheel support



Popular amongst many KSX users is the ladder rack, offering more binding options and cargo protection.

The 70cm extension sides will create a total height of 100cm. The KSX can handle even more types of loads.

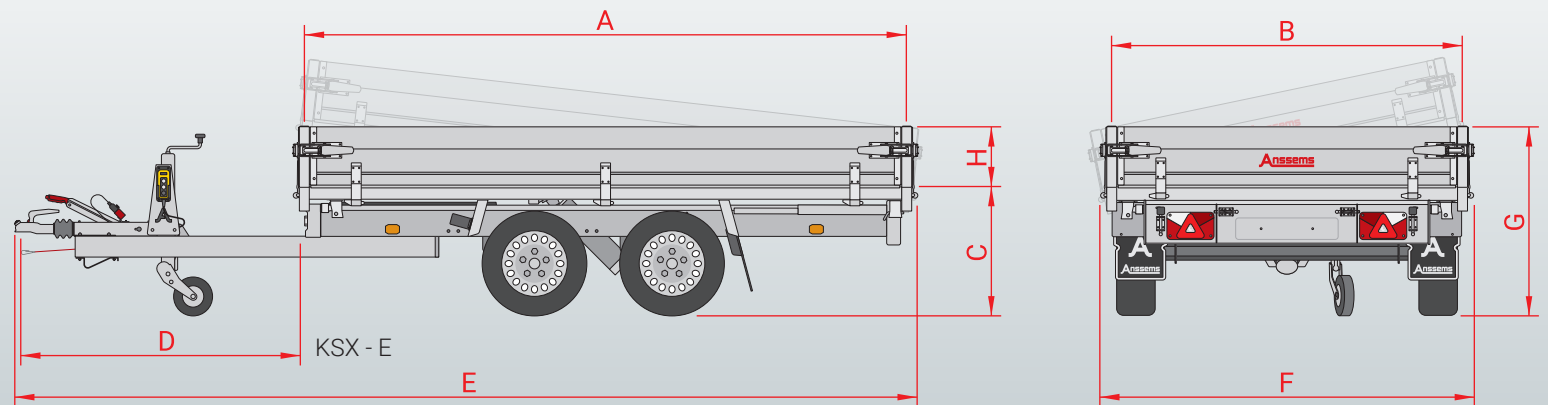
A KSX with mesh sides of 70 cm offers a multitude of possibilities for transporting a wide range of cargo. (The total height is 100 cm).

A KSX with a high cover, with internal heights of either 150 or 180 cm, that includes a durable tarpaulin fabric, a steel frame, aluminium slats, binding hooks, and an elastic cord.



## Versatile trailer

The KSX tippers are very versatile and can be perfectly adapted to your requirements with the accessories. View all KSX models [here](#).



Type	KSX 2000 H 305x153	KSX 2500 E 305x153	KSX 2500 H 305x178	KSX 2500 E 305x178	KSX 3000 E 305x178	KSX 3000 E 305x178 Go-Getter	KSX 3500 E 305x178	KSX 3000 E 355x178	KSX 3500 E 355x178
<b>Gross capacity</b>	2000 kg	2500 kg	2500 kg	2500 kg	3000 kg	3000 kg	3500 kg	3000 kg	3500 kg
<b>Unladen weight (ULW)</b>	610kg	650 kg	690 kg	745 kg	770 kg	770 kg	820 kg	845 kg	895 kg
<b>Load capacity</b>	1390kg	1850 kg	1810 kg	1755 kg	2230 kg	2230 kg	2680 kg	2155 kg	2605 kg
<b>Axles pcs</b>	2	2	2	2	2	2	2	2	2
<b>Braked version</b>	v	v	v	v	v	v	v	v	v
<b>Tilt function</b>	backwards	backwards	3-way	3-way	3-way	3-way	3-way	3-way	3-way
<b>Hydraulic tilt control</b>	manual	electric	manual	electric	electric	electric	electric	electric	electric
<b>Anodised aluminium panels</b>	silver	silver	silver	silver	silver	black	silver	silver	silver
<b>Steel rims</b>	silver	silver	silver	silver	silver	black	silver	silver	silver
<b>Wheel / tyresize</b>	155/80R13	185/70R13	185/70R13	185/70R13	185/60R12	185/60R12	185/60R12	185/60R12	185/60R12
Internal length (A)	305 cm	305 cm	305 cm	305 cm	305 cm	305 cm	305 cm	355 cm	355 cm
Internal width (B)	153 cm	153 cm	178 cm	178 cm	178 cm	178 cm	178 cm	178 cm	178 cm
Floor height (C)	65 cm	65 cm	65 cm	65 cm	63 cm	63 cm	64 cm	63 cm	64 cm
A-Frame length (D)	145 cm	145 cm	145 cm	145 cm	145 cm	145 cm	145 cm	145 cm	145 cm
Total length (E)	462 cm	462 cm	462 cm	462 cm	462 cm	462 cm	462 cm	508 cm	508 cm
Total width (F)	164 cm	164 cm	189 cm	189 cm	189 cm	189 cm	189 cm	189 cm	189 cm
Total height (G)	95 cm	95 cm	95 cm	95 cm	93 cm	93 cm	94 cm	93 cm	94 cm
Side panel height (H)	30 cm	30 cm	30 cm	30 cm	30 cm	30 cm	30 cm	30 cm	30 cm

Accessoires	KSX 2000 H 305x153	KSX 2500 E 305x153	KSX 2500 H 305x178	KSX 2500 E 305x178	KSX 3000 E 305x178	KSX 3000 E 305x178 Go-Getter	KSX 3500 E 305x178	KSX 3000 E 355x178	KSX 3500 E 355x178
High cover (internal height 150 cm)	v	v	v	v	v	v	v	x	x
High cover (internal height 180 cm)	v	v	v	v	v	v	v	x	x
Flat cover	v	v	v	v	v	v	v	x	x
Propstands	v	v	v	v	v	v	v	v	v
Extension sides (H 35 cm)	v	v	v	v	v	v	v	x	x
Extension sides (H 70 cm)	x	x	v	v	v	v	v	x	x
Mesh sides (H 70 cm)	v	v	v	v	v	v	v	x	x
Ladder rack (H 80 cm)	v	v	v	v	v	v	v	v	v
Tie hooks	v	v	v	v	v	v	v	v	v
Tie eye M8	v	v	v	v	v	v	v	v	v
Aluminium Ramps	v	v	v	v	v	v	v	v	v
Steel Ramps	v	v	v	v	v	v	v	v	v
Spare wheel with support	v	v	v	v	v	v	v	v	v
Axle shock absorbers	v	v	v	v	v	v	v	v	v

v available as an accessor x no accessory



# Anssems

## Always behind you.

Anssems offers a complete range of transport solutions of flawless quality, and has been doing so since 1977. Our standard, richly equipped trailers are perfect for professional and private users. Our modern machinery is extremely accurate and ensures a consistent high-quality output. Our team checks the result to guarantee a perfect finish. We produce to the highest standards, with user comfort and safety being our top priority. Anssems, when things gets tough, we're right behind you.

Visit: [www.anssems.eu](http://www.anssems.eu)



Your Anssems dealer

AB2303EN-KSX



**A** Low loader trailers **BSX**



**A** Low loader trailers **GT-O**



**A** Low loader trailers **GT-R**



**A** Flatbed trailers **ASX**  
(Incl. ramps)



**A** Flatbed trailers **PSX**



**H** Flatbed trailers **MEDAX**



**A** Flatbed trailers **PLT**



**H** Multipurpose trailers  
**CARAX**



**A** Multipurpose trailers  
**MSX-Basic / MSX**



**A** Car transporters  
**AMT**



**A** Car transporters  
**AMT-ECO**



**A** 3-way tipping trailers  
**KSX**



**A** Backwards tipping trailers  
**KLT**



**A** Hard top cover trailers  
**GT-HT / GT-VT1**



**A** Box van trailers  
**GT-VT2 / GT-VT3 / GT-VT4**



**H** Plant trailers  
**TERRAX**



**H** Plant trailers  
**TERRAX-Basic**



**A** Horse trailers **PTH**



**A** Welfare trailers **PTS**



Anssems Go-Getter

### The Anssems group

#### Anssems Aanhangwagens B.V.

Ericssonstraat 50  
NL-5121 ML Rijen

#### Anssems Anhänger GmbH

Londoner Straße 15  
D-48455 Bad Bentheim-Gildehaus

#### Anssems Remorques Sarl

Rue Pierre Brosolette  
FR-58600 Garchizy

#### Hulco Trailers GmbH

Wiener Straße 34  
D-48455 Bad Bentheim-Gildehaus

