



PTS

INDISPENSABLE ON EVERY CONSTRUCTION SITE



Anssems WELFARE TRAILER **PTS**



LOW LOADER TRAILERS



FLATBED TRAILERS



MULTIPURPOSE TRAILERS



CAR TRANSPORTERS



TIPPING TRAILERS



HARD TOP COVER TRAILERS



BOX VAN TRAILERS



HORSE TRAILERS



WELFARE TRAILER



Anssems PTS; welfare trailers

The Anssems PTS trailer is an indispensable location on a construction site for briefings, storage, or lunch. It is made of durable materials, and is maintenance-friendly. The accommodation space can accommodate up to six people, who can enter through a fixed step at the back. This space is equipped with LED lighting, wall sockets, electric heating, and two windows with wooden shutters.

**THE ANSSEMS PTS
IS OUR LOCATION
FOR BRIEFINGS**



Welfare trailer with
storage room



Welfare trailer with
storage - and toilet room

Storage and toilet

In addition to the accommodation area, the Anssems PTS also has a storage room or compact storage space adjacent to a toilet facility. These spaces are accessible via their own entrance and are equipped with LED lighting.



Securing shutters



Steel footboard with high grip profile



Probstands on 4 corners



Light switch and wall socket



Window with tiltable skylight



Impact-resistant marking on all corners



Electric heating (1500 Wh) in accommodation space



Wooden window shutters with latch

Seamless polyester insulated sandwich panels



Marker light

Steel probstand

Premium quality axle and wheels

Impact-resistant marking strip

Lockable wooden door

Accommodation for 6 people

High grip waterproof plywood floor

Fixed footboard with anti-slip

LED lighting



Benches and table available as accessories



Anssems



**EVERYTHING I NEED
FITS IN THE
STORAGE ROOM**

Extremely strong

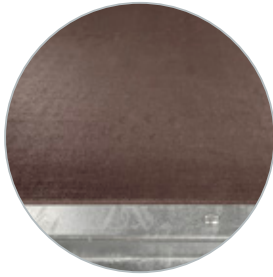
The Anssems PTS welfare trailers are equipped with a durable polyester roof and walls of insulated sandwich panels with a seamless polyester top finish in the colour RAL 9003, as well as a waterproof plywood floor with an anti-slip profile. The robust PTS chassis is fully galvanised and fitted with premium-quality axles and an overrun brake.



Restroom with toilet
and washbasin



Automatic jockey wheel



High grip waterproof plywood floor



Door hook



Ventilation grille



Wooden door frame and plywood entrance door



Storage is lockable with the same key as the entrance door

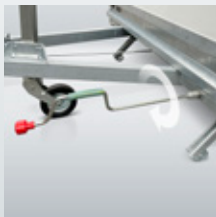


Main Industrial power connection 230 Volt

Polyester roof with overhang

Ventilation

Put your company name on the wall



Probstand crank handle included

Storage door



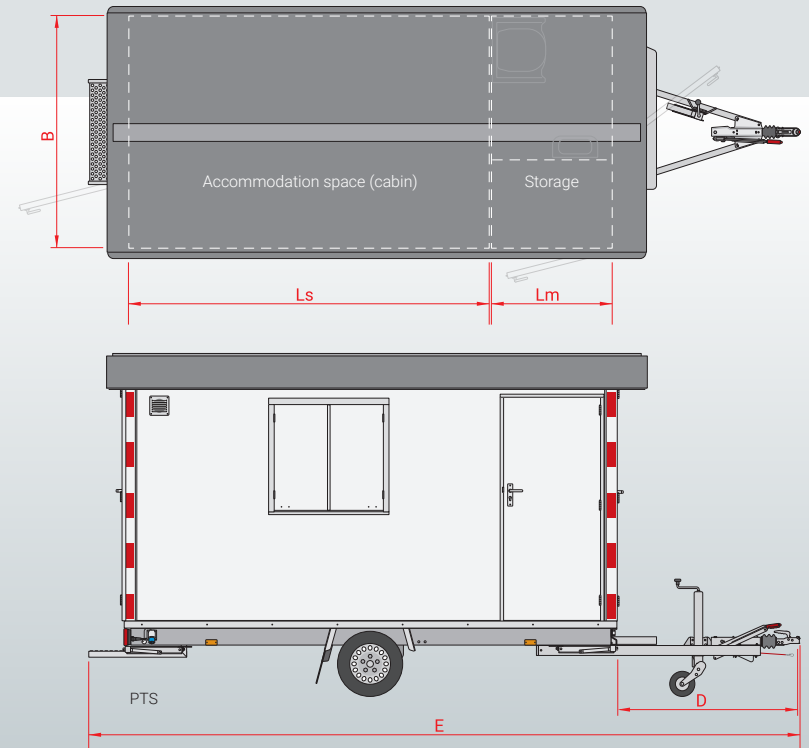
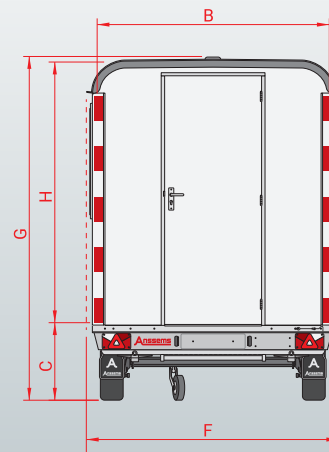
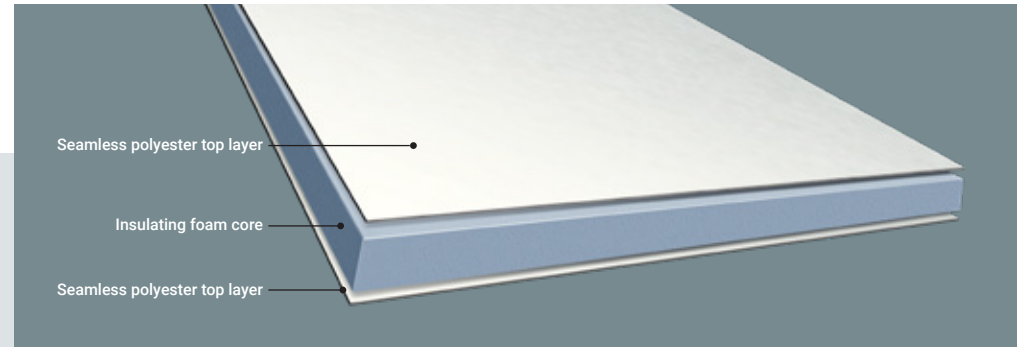
Free drawbar length 145 cm

Premium quality overrun brake and handbrake

Anssems

Sandwich panels

The Anssems PTS walls are constructed from three-layer polyester sandwich panels. These panels are of high quality, providing good insulation value, high stiffness, compressive strength and being lightweight and maintenance-friendly.



Type	PTS 1400 390x188	PTS 1400 390x188 with toilet
Gross capacity	1400 kg	1400 kg
Unladen weight (ULW)	890 kg	930 kg
Load capacity	510 kg	470 kg
Axles pcs	1	1
Braked version	v	v
Storage room	v	v
Toilet room	x	v
Number of persons	6	6
Wheel / tyresize	185/60R12	185/60R12
Rims	steel	steel
Floor type	plywood	plywood
Wall panels	polyester sandwich panel	polyester sandwich panel
Wall color	RAL 9003	RAL 9003
Roof type	polyester	polyester
Roof color	grey	grey
Internal height (H)	211 cm	211 cm
Cabin (Ls x B)	292 x 188 cm	292 x 188 cm
Storage (Lm x B)	98 cm	98 cm
Floor height (C)	60 cm	60 cm
A-Frame length (D)	145 cm	145 cm
Total length (E)	576 cm	576 cm
Total width (F)	205 cm	205 cm
Total height (G)	277 cm	277 cm

Accessories	PTS 1400	PTS 1400
Electric heating 1500 w	s	s
Benches and table	v	v
Spare wheel with support	v	v
Axle shock absorbers	v	v

S standard equipment

V available as an accessor

THE ANSSEMS PTS IS ROBUST AND IMPACT RESISTANT

Anssems

Anssems

Always behind you.

Anssems offers a complete range of transport solutions of flawless quality, and has been doing so since 1977. Our standard, richly equipped trailers are perfect for professional and private users. Our modern machinery is extremely accurate and ensures a consistent high-quality output. Our team checks the result to guarantee a perfect finish. We produce to the highest standards, with user comfort and safety being our top priority. Anssems, when things gets tough, we're right behind you.

Visit: www.anssems.eu



Your Anssems dealer

AB2302EN-PTS



A Low loader trailers **BSX**



A Low loader trailers **GT-O**



A Low loader trailers **GT-R**



A Flatbed trailers **ASX**
(Incl. ramps)



A Flatbed trailers **PSX**



H Flatbed trailers **MEDAX**



A Flatbed trailers **PLT**



H Multipurpose trailers
CARAX



A Multipurpose trailers
MSX-Basic / MSX



A Car transporters
AMT



A Car transporters
AMT-ECO



A 3-way tipping trailers
KSX



A Backwards tipping trailers
KLT



A Hard top cover trailers
GT-HT / GT-VT1



A Box van trailers
GT-VT2 / GT-VT3 / GT-VT4



H Plant trailers
TERRAX



H Plant trailers
TERRAX-Basic



A Horse trailers **PTH**



A Welfare trailers **PTS**



Anssems Go-Getter

The Anssems group

Anssems Aanhangwagens B.V.
Ericssonstraat 50
NL-5121 ML Rijen

Anssems Anhänger GmbH
Londoner Straße 15
D-48455 Bad Bentheim-Gildehaus

Anssems Remorques Sarl
Rue Pierre Brosolette
FR-58600 Garchizy

Hulco Trailers GmbH
Wiener Straße 34
D-48455 Bad Bentheim-Gildehaus

